

• • • • • Hard/Soft Kit for USB Memory Key Bridge

DESCRIPTION:

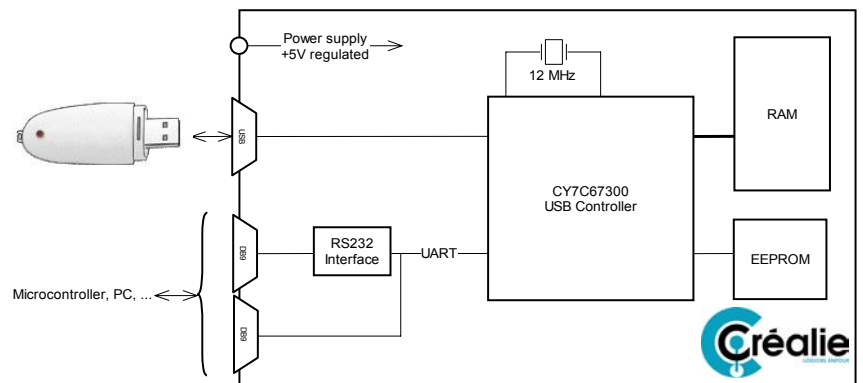
The USB Memory Key Bridge from Créalie enables your products to support any USB Memory Key. Based on a Cypress EZ-Host family microcontroller, the bridge provides with a standard UART interface which allows you to send commands for creating, writing, reading and deleting files on a USB Memory Key. This way, you can transfer data or software between any PC and your product. This kit comes with both ready-to-use hardware and software, making integration as simple as Plug'n Play.

USB MEMORY KEY MANAGEMENT:

Files can be created, written, read and deleted. For file writing, only sequential writing is possible. Files created or written through the bridge can of course be read afterwards by any system supporting USB Memory Keys (PC, Mac). Files may also be written by a PC and read by your product. The bridge can manage FAT16 or FAT32 USB Memory Key of any size. File management is limited to short file name (DOS format 8.3). Folders navigation is now supported, allowing directories creation/suppression up to 5 levels.

HARDWARE DESCRIPTION:

The bridge is provided with a ready-to-use board including all necessary hardware. This board can be enclosed in a case or directly included in your product on demand. The schematic is also provided, allowing you to easily add the bridge functionality to your own product board. The hardware is based on a Cypress EZ-Host family microcontroller (CY7C67300). Software runs on an external RAM chip, and an external EEPROM is used for code storage (code is transferred from EEPROM to RAM at startup). To update the software, The EEPROM can be re-programmed directly from a USB Key.



ELECTRONIC BOARD :



SERIAL ASYNCHRONOUS INTERFACE:

A serial asynchronous interface, via RS232 or UART interface, enables direct communication with any existing hardware. The baud rate can be set up to 115.2 kbauds.

A simple protocol is set up on the serial interface. Using this protocol, several commands allow to:

- Request if a Memory Key is connected
- Read list of files in the current directory
- Read a file content
- Create and write to a new file
- Write data at the end of an existing file
- Delete a file
- Write lock / unlock
- Create/Delete a directory
- Navigate between folders
- Read file information
- Get free space information

CONTENTS OF THE KIT:

- Electronic board with software in EEPROM memory
- User licence
- Software binary file for Cypress EZ-Host
- User manual
- Hardware schematic

USER LICENCE :

The customer is allowed to use the kit himself or some part of it in any of its products. Software binary file and hardware schematic are provided in order to facilitate the integration in your product. Source code may also be sold on specific request.

GUARANTEE :

Créalie provides a 6 months guarantee, including both software and hardware components.

INTEGRATION IN YOUR PRODUCT:

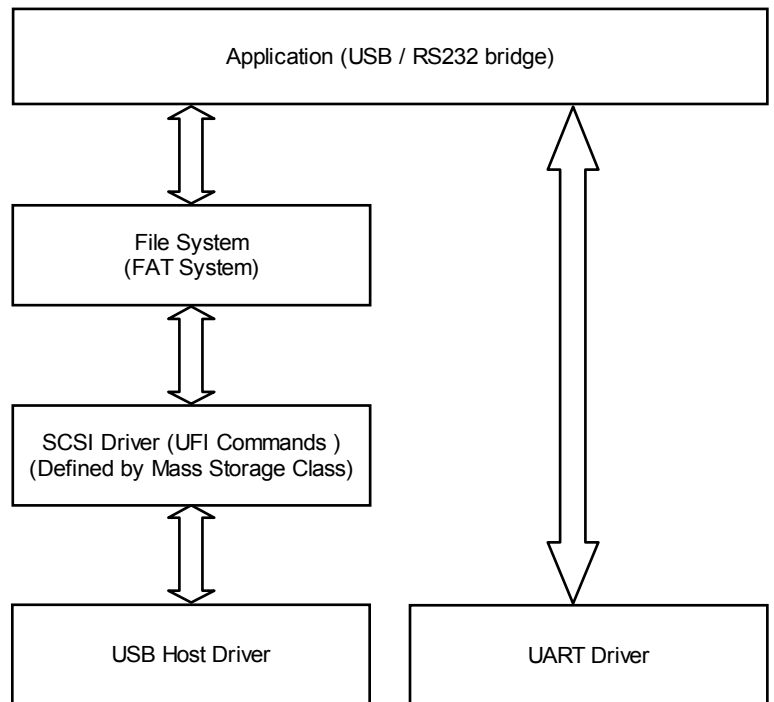
This hard / soft kit can be integrated in your product or in a box connected to your product. The Cypress EZ-Host may include some part of your software application. Créalie is able to develop this software for you or integrate your existing software in the EZ-host.

CUSTOMIZATION :

Besides its generic offer, Créalie can provide on-demand adaptations, regarding to hardware or software.

Here are several examples of adaptations:

- Interface tuning
- Integration of a second serial interface
- Integration of an I2C link
- Design tuning



For further information, please contact Bertrand Chabaud:



CREALIE

Centre Pleyel, 153, Bd Anatole France,
93521 Saint-Denis Cedex
www.crealie.com

Telephone :

(+33) (0)1 55 87 03 40

Fax :

(+33) (0)1 55 87 03 44

E-mail :

bertrand.chabaud@crealie.com